

Swingotilt®

ST6
Machines 3 - 6 tonnes



Extreme flexibility and maximum safety.
The grease lubricated Swingotilt® enables the excavator arm to make one endless rotation and tilt up to 40° in each direction. This means that the arm and bucket can bypass various obstacles, release loads easier and reduce the need for manual assistance with maneuvers. Swingotilt® increases safety for both the driver and those around the excavator.

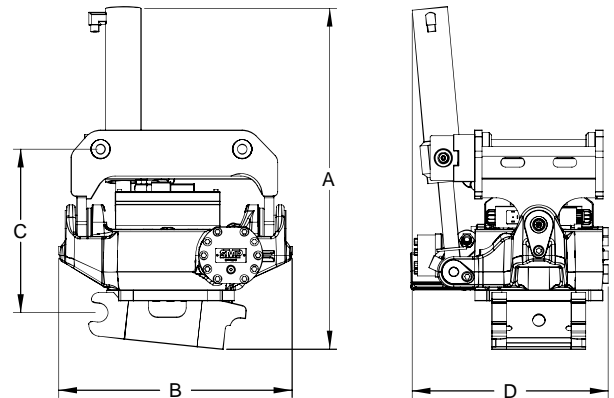
Swingotilt® ST6 is supplied complete with hydraulic hoses, hydraulic connections, wiring and an installation manual.

ST6 can be adapted for most machines in the size range. It is available with most types of quick coupler systems, and with a direct mounted upper/lower section.



TECHNICAL SPECIFICATION SWINGOTILT® ST6

Infinite rotation 360°	Valve system
Tilting 2 x 40°	System Pro
12/24VDC	System P
Grease lubricated	System TXSC
	System TXC
	System TS



Mounting	S40	S45 / S50	SMP3
Approx weight (kg)	140	160	160
Dimensions A / B / C / D	720 / 495 / 345 / 415	735 / 495 / 375 / 470	740 / 495 / 375 / 470
Tilt angle	2 x 40°		
Rotation	Infinite 360°		
Oil flow Min / Max	30 / 70 L/min		
Operating pressure Min / Max	18 / 21 MPa		
Tilt torque at 21 Mpa	12,33 kNm		
Rotation speed	7 sec / rotation		
Torque	5000 Nm		

Weights can vary depending on design of product